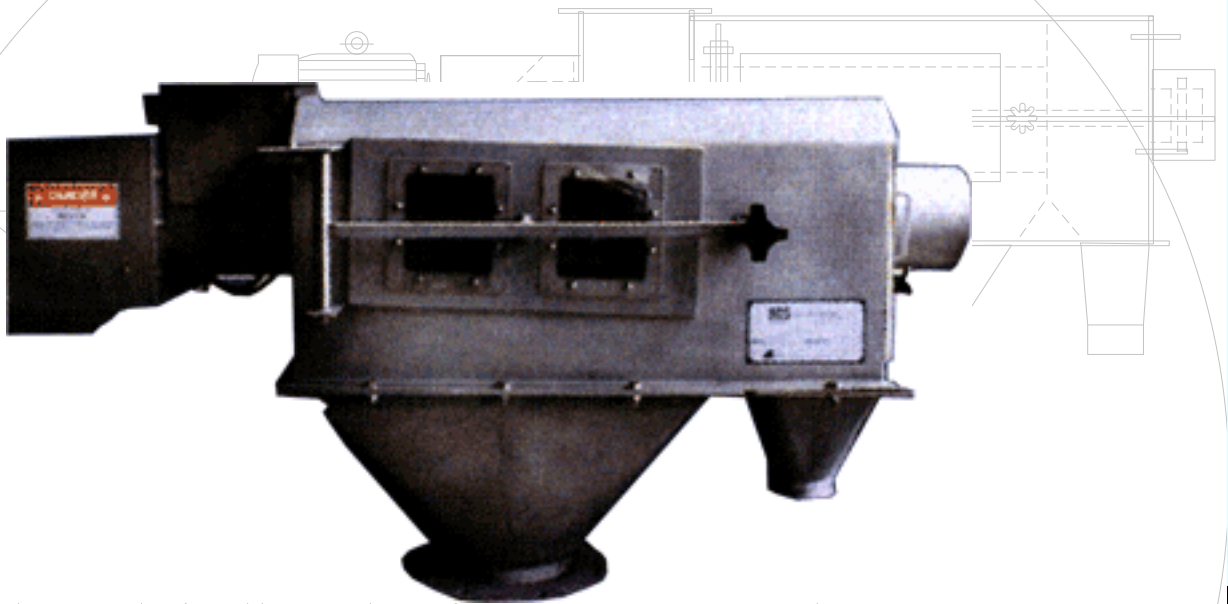


Rotary Sifters

Models S2030, S2060,
S2560, S3080,
S4010



**High Capacity,
High Efficiency
Size Separation**

- Self cleaning screens
- Easy knock down for cleaning
- Quick change of screens
- Controlled feed rate
- Dust, noise and vibration free sieving



KLAUSEN PROCESS MACHINERY PTY. LTD.

20 BESSEMER STREET, BLACKTOWN NSW 2148 AUSTRALIA
TEL: (61 2) 9672 - 3222 FAX: (61 2) 9672 - 8733
E - MAIL: sales@kpm.com.au WEBSITE: www.kpm.com.au

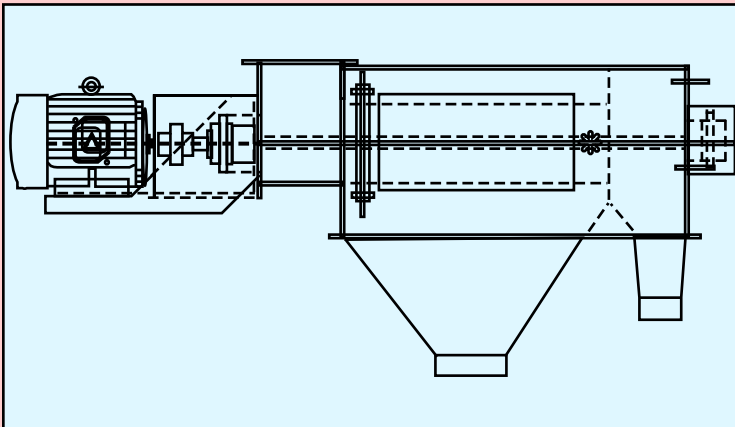
Rotary Sifters

**Models S2030, S2060,
S2560, S3080,
S4010**

High Capacity,
High Efficiency
Size Separation

Applications:

- Control sieving of powdered and granular materials
- Dewatering of suspensions
- Classification
- Deagglomeration without causing additional fines
- Removal of foreign matter without damage to screen
- No tools for maintenance or clean down



Operation:

Material is transferred from the inlet feed screw to the sieving chamber by the screw, and is beaten against the sieve screen by the paddle assembly.

Particle smaller than the apertures in the screen are discharged through the fines outlet chamber whilst oversize materials is carried along the basket and discharged from the oversize end.

Vibrations set up in the man made fibre screen assist in preventing blinding.

Excessive wear is eliminated as the paddle assembly does not come into contact with the screen.

The Rotary Sifter range consists of a steel casing with built-on oversize outlet fitted with an oversize end door. A stainless steel shaft, supported by self-aligning bearings, is protected by the double seals (air purge seals are available). Mounted on this shaft are inlet feed screw and an adjustable paddle assembly. A side door is provided for inspection or cleaning.

The sieve screen is designed for easy clean-down without the use of special tools. The Driver unit is direct on Line or V-Belt depending on the application on the Sifter Model.

Special units are available with slow speed operation, extended inlets or outlets, air purge seals, air take off casing, explosion proofed casings, etc. (Please consult our engineering department with your specific requirements.)

We can offer design, deliver, commissioning installation and service of your sifter to ensure maximum performance and minimum maintenance.

Sifters are manufactured in mild steel, stainless steel or full sanitary suited for the Food, Chemical or Pharmaceutical Industries.

Model	Motor (kw)	Length (mm)	Height Incl. Hoppers (mm)	Width (mm)	Approx Weight (kg)
S2030	0.55	1250	625	460	96
S2060	2.2	1650	750	460	120
S2560	2.2	1690	750	540	140
S3080	4.0	1970	1000	750	250
S4010	5.5	2260	1196	800	385