

Durabin™

Stackable Hoppers

500L & 1000L



An innovative and easy way
of handling dry powder
and solid material



KLAUSEN PROCESS MACHINERY PTY. LTD.

20 BESSEMER STREET, BLACKTOWN NSW 2148 AUSTRALIA
TEL: (61 2) 9672 - 3222 FAX: (61 2) 9672 - 8733
E - MAIL: sales@kpm.com.au WEBSITE: www.kpm.com.au

Durabin™

Stackable Hoppers 500 L & 1000 L

An innovative and
easy way of handling
dry powder and
solid material

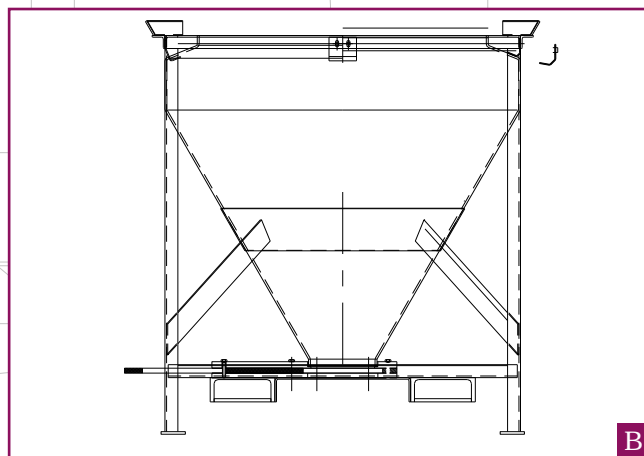
Klausen Process Machinery Pty Ltd is proud to introduce the Durabin™ 400 Series Mini Bulk Hopper System. An innovative and easy way of handling dry powder and solid material.

Easily transportable by small forklift, the bulk system is fully stackable and ideal for use in areas of confined space.

Hoppers are available in both 500 L & 1000 L capacity and are manufactured from tough durable polyethylene materials. They come complete with removable colour coded lids, a manually operated stainless steel and polypropylene slide gate and 250 mm diameter polyethylene discharge chute



A

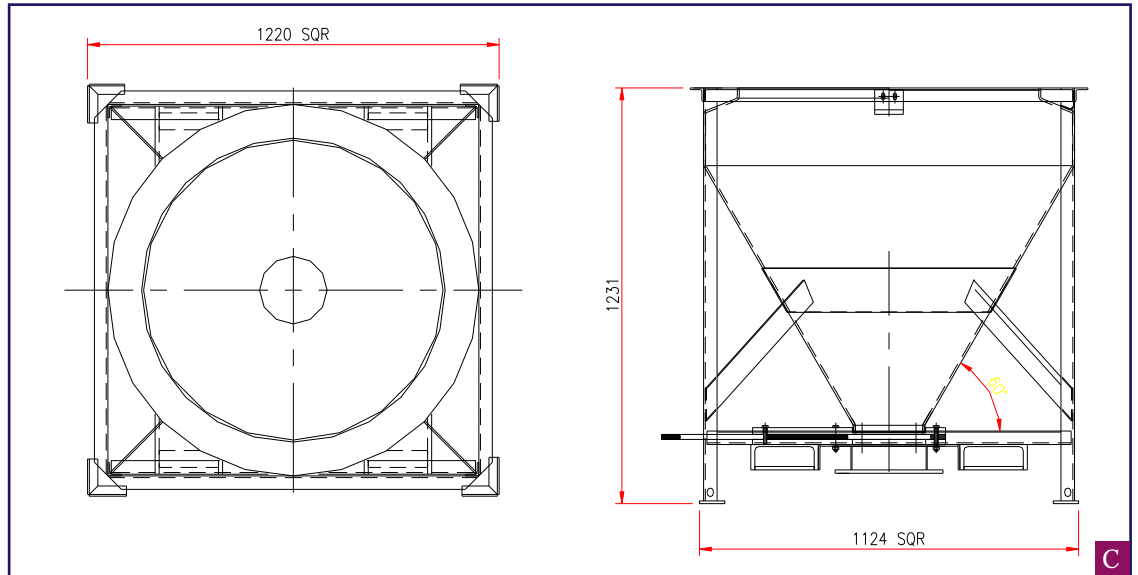


B

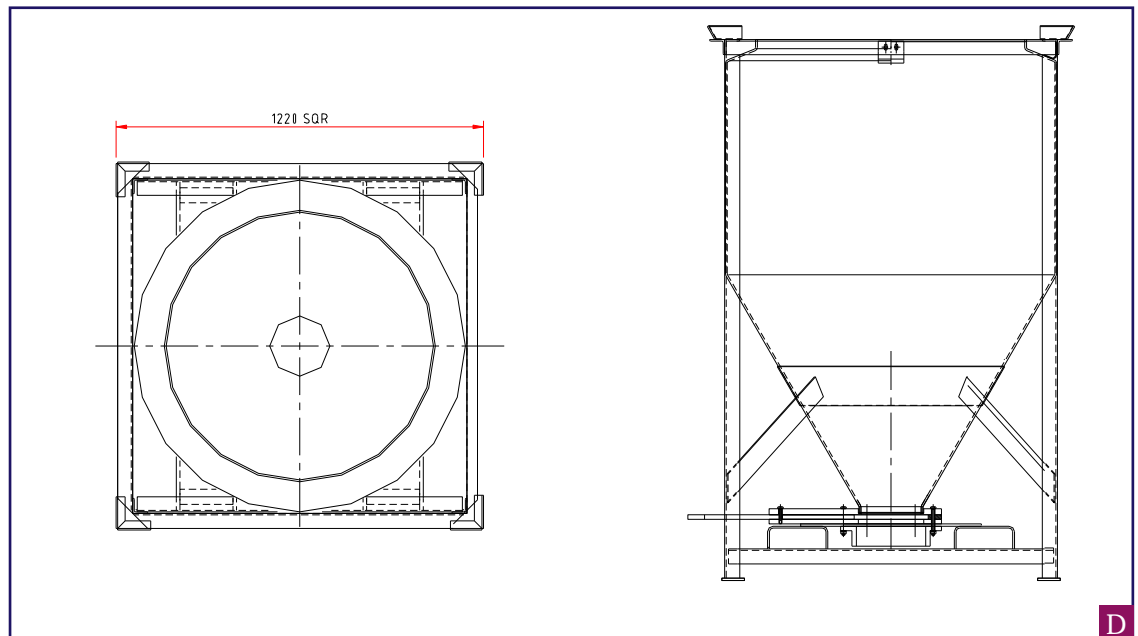
The carbon steel frame measures 1230 mm x 1230 mm x 1130 mm high and is corrosion protected for use in a wide range of applications.

Other features include high degree conical shaped hoppers to promote flow (even with difficult flowing products) and a wide range of translucent colours for easy identification of products and content capacities.

**500 L Durabin
Stackable Hopper**



**1000 L Durabin
Stackable Hopper**



Stackable Hopper Range

Materials

Dimension (varies with bin size)

- k 500 Litre Durabin™
- k 1000 Litre Durabin™
- k Durable polyethylene discharge tube
- k Stainless Steel Frame
- k Polypropylene slide gate

- k Frame measures 1230 mm x 1230mm x 1130mm (Standard 500L frame size. 1000L Bin is larger)

Materials Held

- Dry Powders
- Solids material



KLAUSEN PROCESS MACHINERY PTY. LTD.

20 BESSEMER STREET, BLACKTOWN NSW 2148 AUSTRALIA
TEL: (61 2) 9672 - 3222 FAX: (61 2) 9672 - 8733
E - MAIL: sales@kpm.com.au WEBSITE: www.kpm.com.au