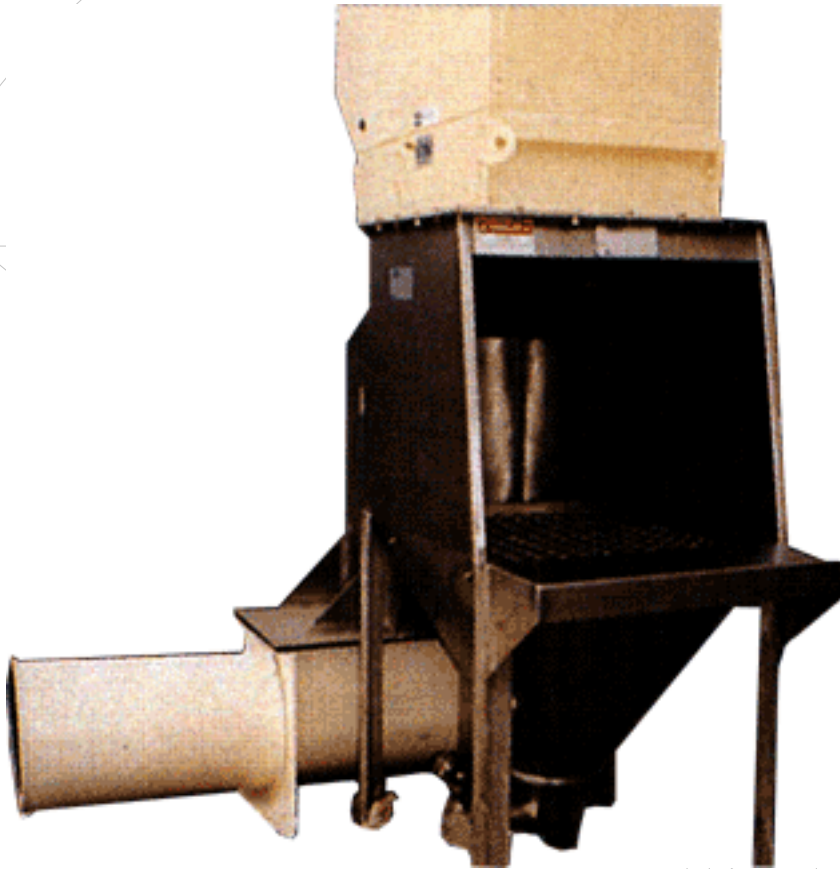


# Bag Emptying & Sack Disposal

## Bag Dump Stations



**An innovative and easy way  
of emptying Bags and Sacks**



**KLAUSEN** | PROCESS | MACHINERY | PTY. LTD.

20 BESSEMER STREET, BLACKTOWN NSW 2148 AUSTRALIA  
TEL: (61 2) 9672 - 3222 FAX: (61 2) 9672 - 8733  
E - MAIL: [sales@kpm.com.au](mailto:sales@kpm.com.au) WEBSITE: [www.kpm.com.au](http://www.kpm.com.au)

# Bag Emptying & Sack Disposal

## Innovative:

Klausen Process Machinery Pty Ltd is proud to introduce the Bag Emptying & Sack Disposal system which allows the manual emptying of bags. In addition to this, the system is complete with a bag compacting facility at the rear of the unit for sack disposal

The bag emptying system allows low volume manual sack emptying, in a dust free environment with compacting of the emptied bags. The operator lifts a sack onto the mesh screen, cuts the bag open and empties the contents into the product stream. The bag remnant is dropped into the compactor and extruded into the plastic collection tube.

A dust collection system is mounted onto the top of the bag dump station. Filter cleaning is carried out by a motorised shaking arm, which will be activated upon closure of the dump station doorway. It is recommended that the dump station be provided with a doorway in order to contain the dust during the filter cleaning process.

## System Components:

The System comprises of the following:

### Dust Collector:

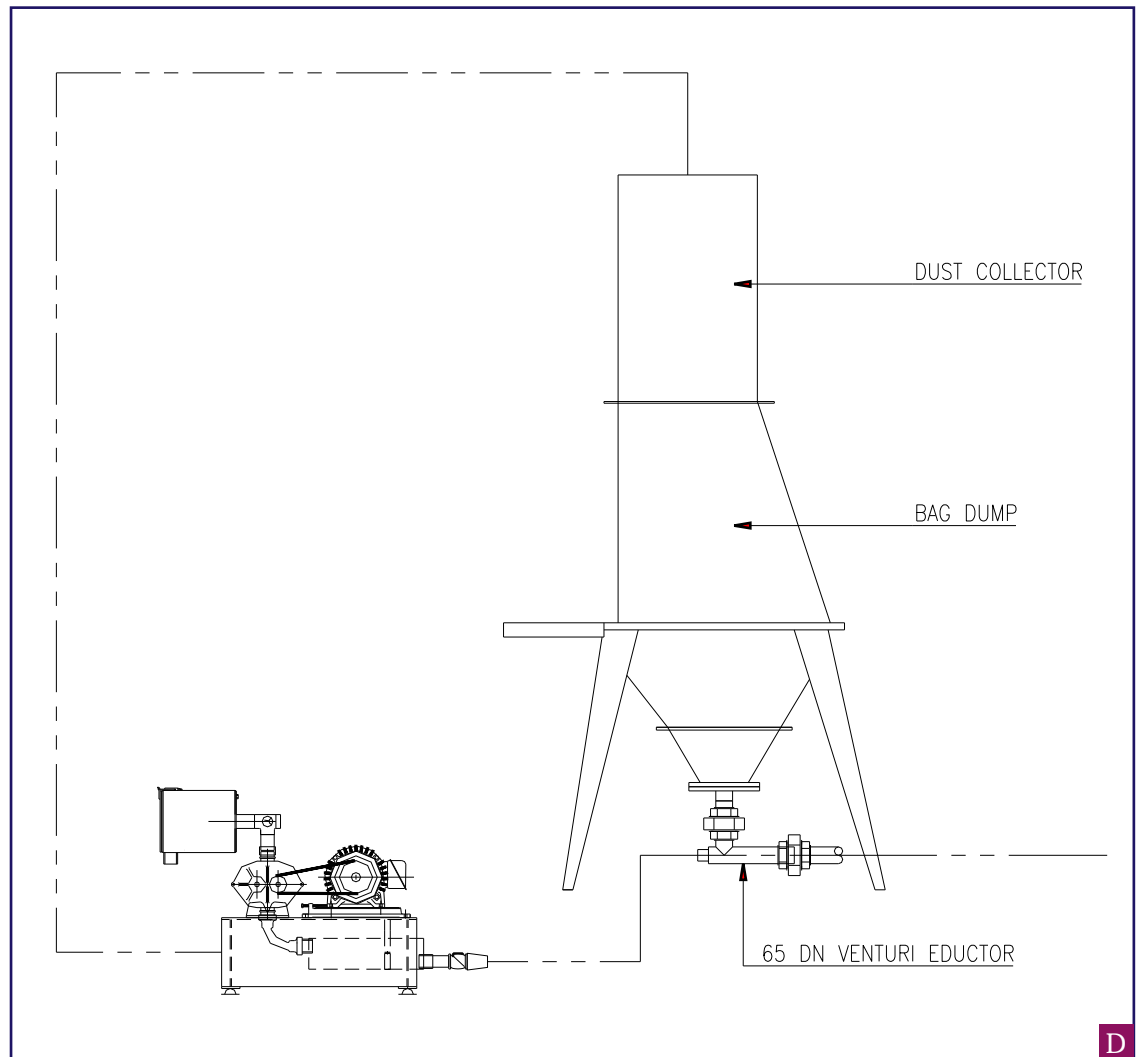
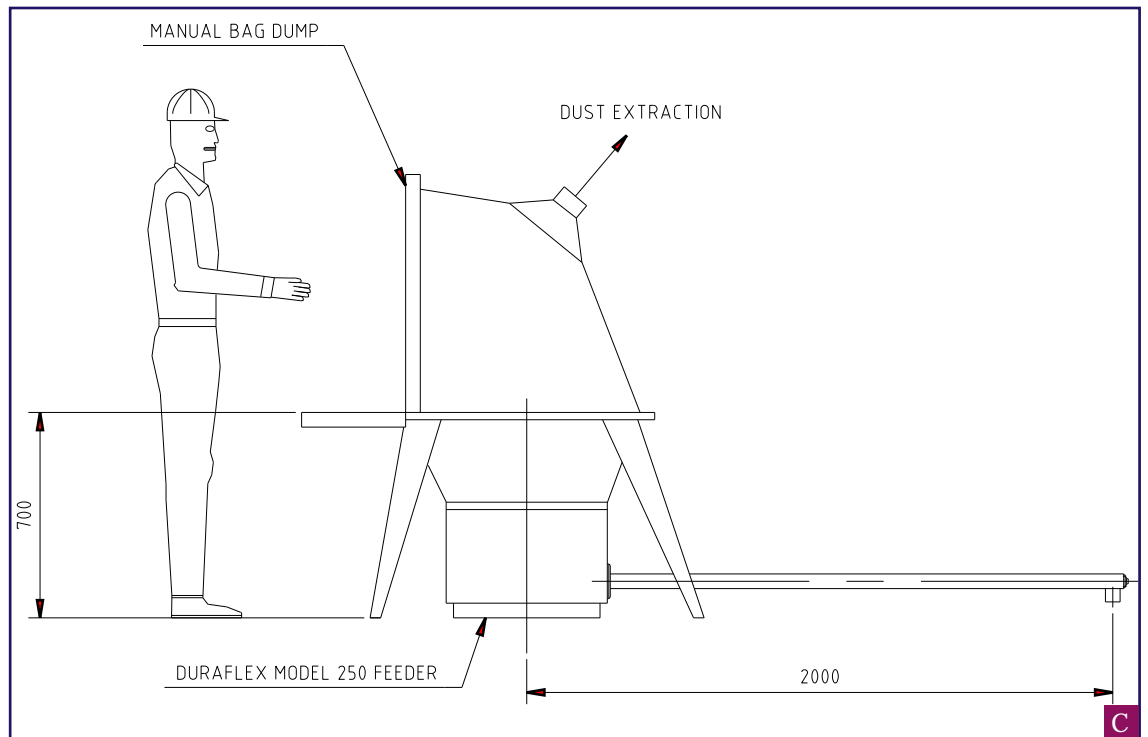
- Dust collector integrally mounted to manual bag dump station complete with exhaust fan
- Shaking arm filter bag cleaning
- Product contact surfaces in mild steel with epoxy paint finish

### Dump Station, 1m Capacity with Bag Compactor:

- Manual bag dump hopper, free standing and complete with vibrator
- Constructed from 304 stainless steel with 2B mill surface finish
- Bag compactor mounted at rear of bag dump hopper
- Bag compactor section in mild steel construction with epoxy paint finish
- Complete with bag compacting screw and gearmotor



**Bag Emptying  
&  
Sack Disposal**



**KLAUSEN PROCESS MACHINERY PTY. LTD.**

20 BESSEMER STREET, BLACKTOWN NSW 2148 AUSTRALIA  
TEL: (61 2) 9672 - 3222 FAX: (61 2) 9672 - 8733  
E - MAIL: [sales@kpm.com.au](mailto:sales@kpm.com.au) WEBSITE: [www.kpm.com.au](http://www.kpm.com.au)